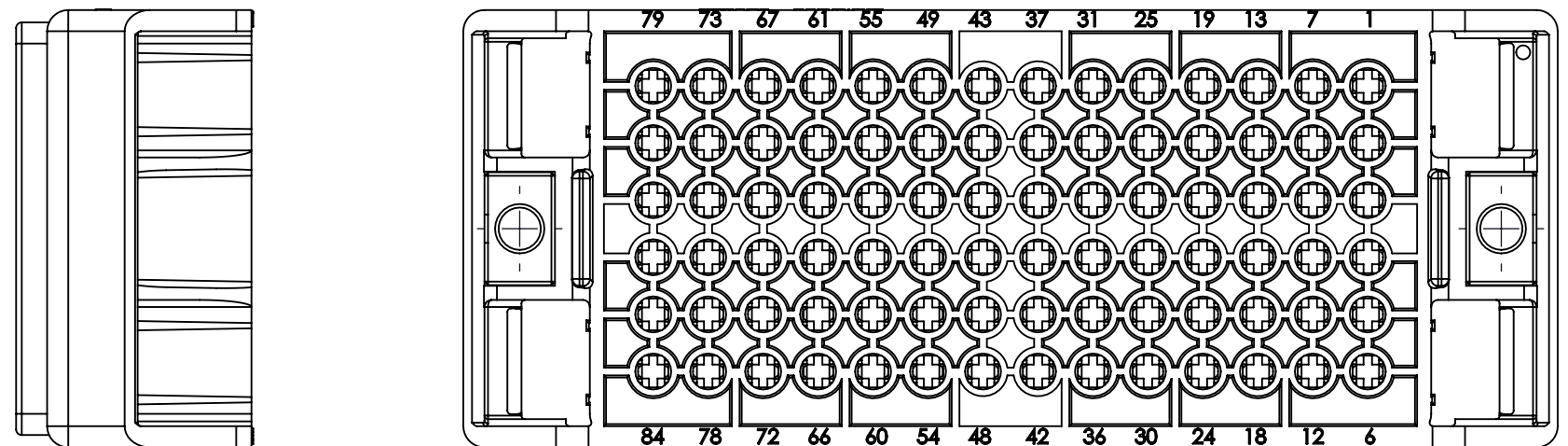
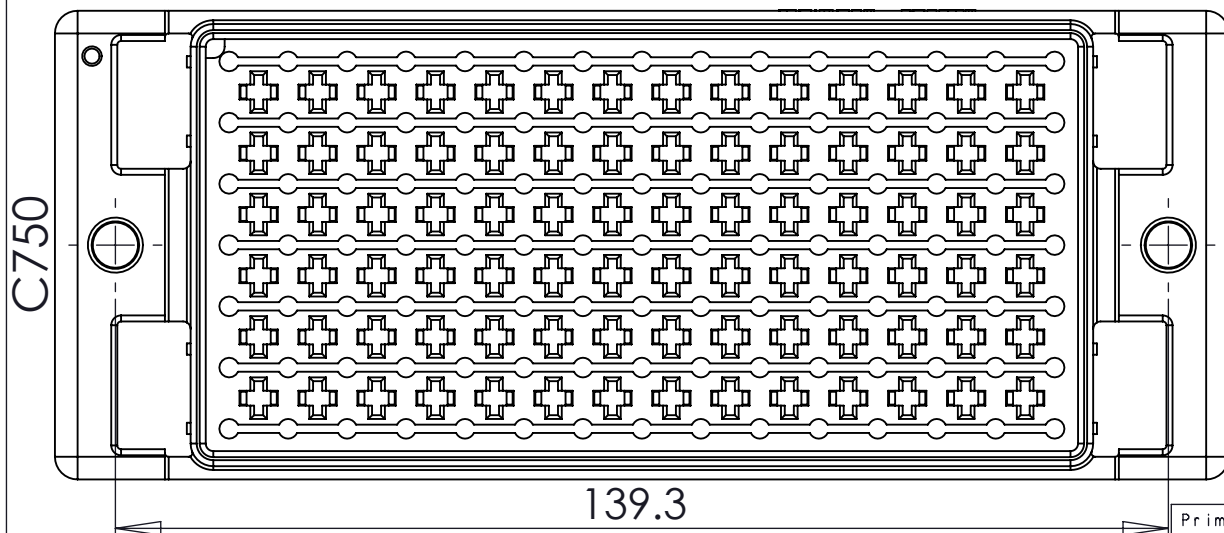
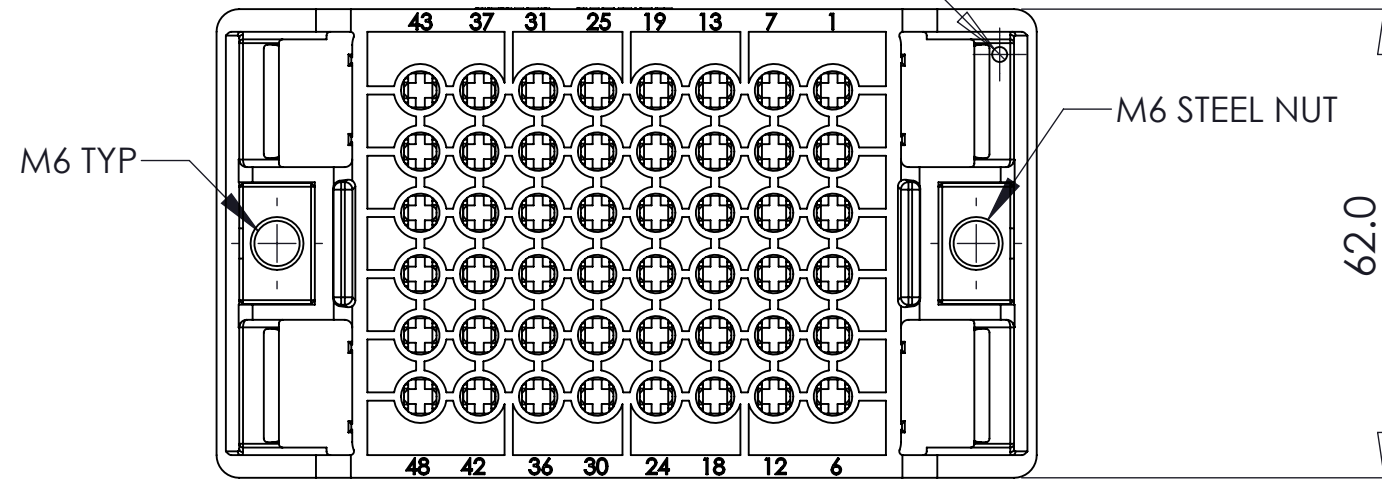
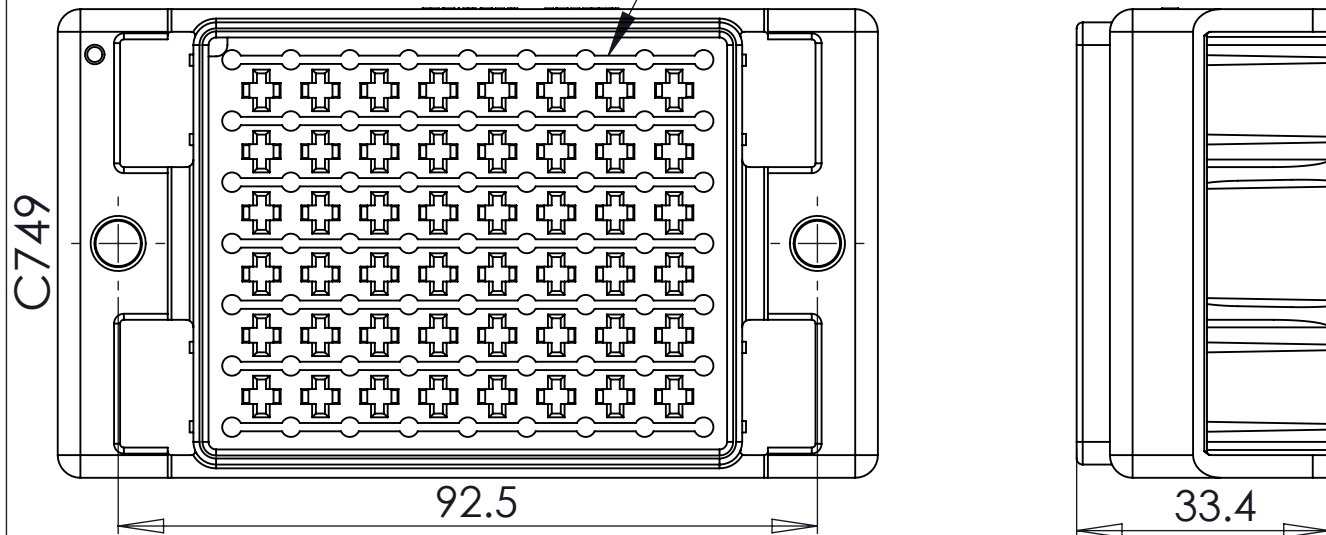
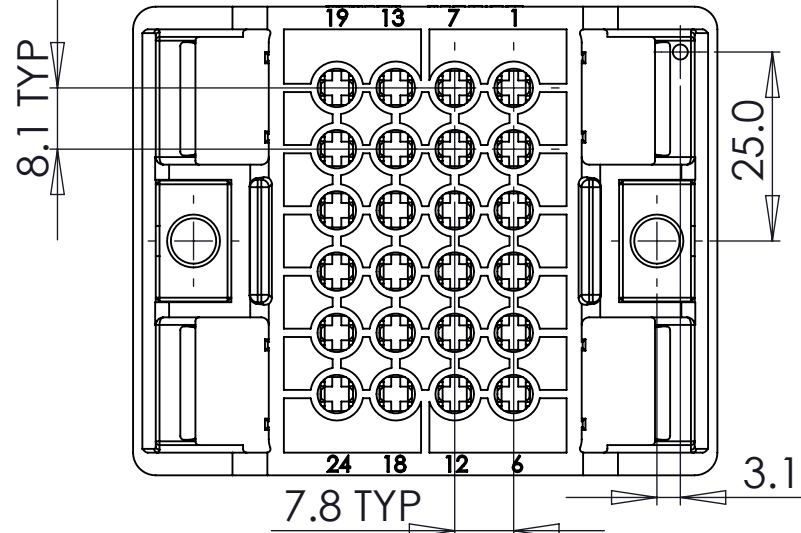
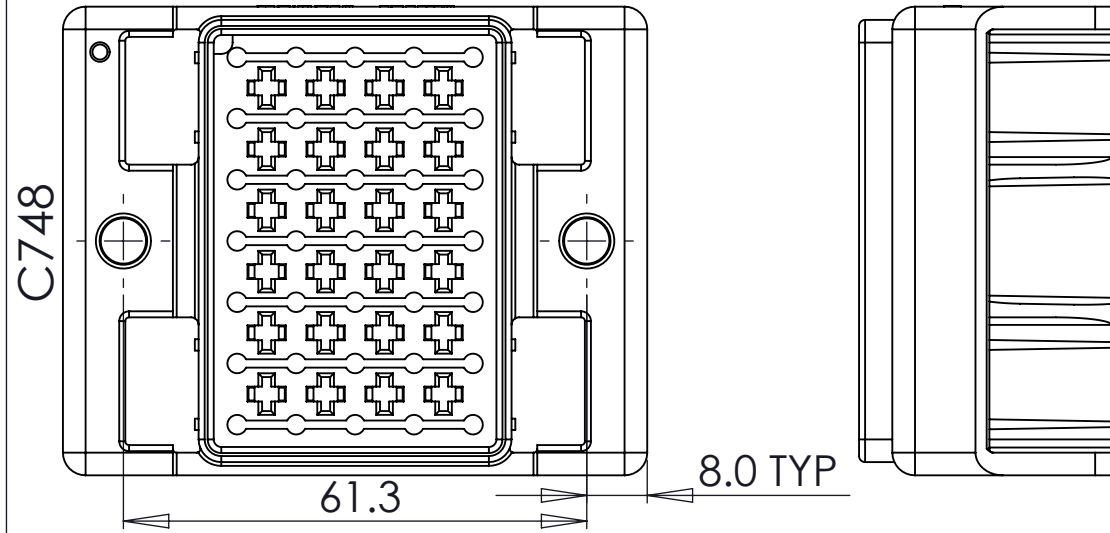


Part Number

TD-116



- NOTES:
 1. ALL DIMS REF
 2. SEE INDIVIDUAL DRAWINGS AND SPECS FOR DETAILS

Primary Units
 Metric (mm)
 English (inch)

Third Angle Proj.

Tolerances If Not Specified

Metric:	English:
0...6 ±.2	X.X ±.1
>6...30 ±.3	X.XX ±.01
>30 ±.5	X.XXX ±.005
Angles ±1	Angles ±1

K. HULTQUIST	26-APR-2017	CAD	0	FIRST DRAWN	KH	26-APR-2017
Drawn By	Date	Drawing	Rev	Change	By	Date



Part Number
TD-116

Part Name
BRIC 280 FAMILY

Scale
1:1

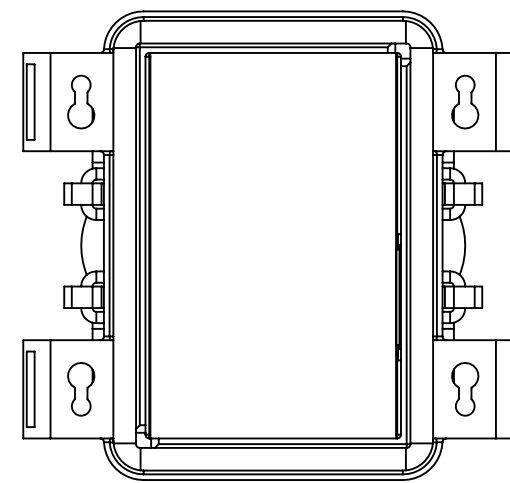
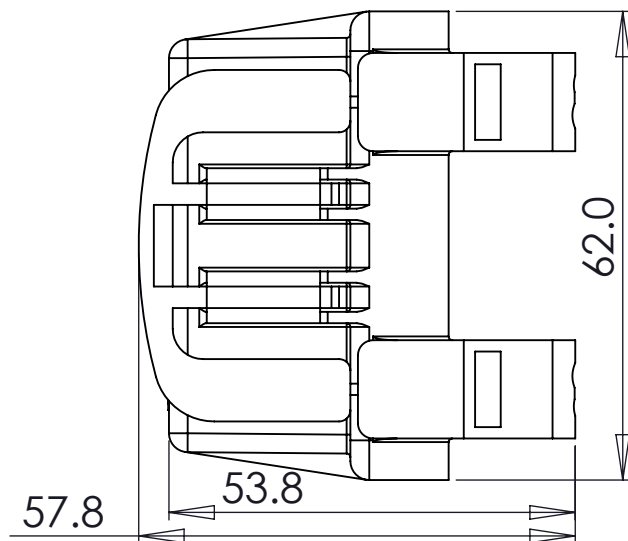
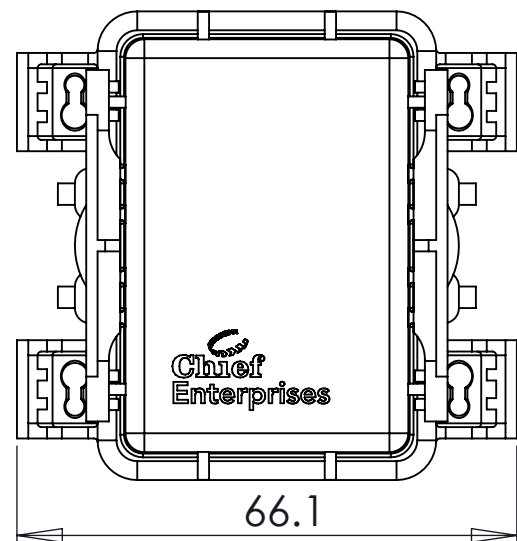
This drawing is the exclusive property of Chief Enterprises Inc. and may not be copied or given to a third party without our written consent.

It is the users responsibility to verify that this drawing is still active and that this is latest rev.

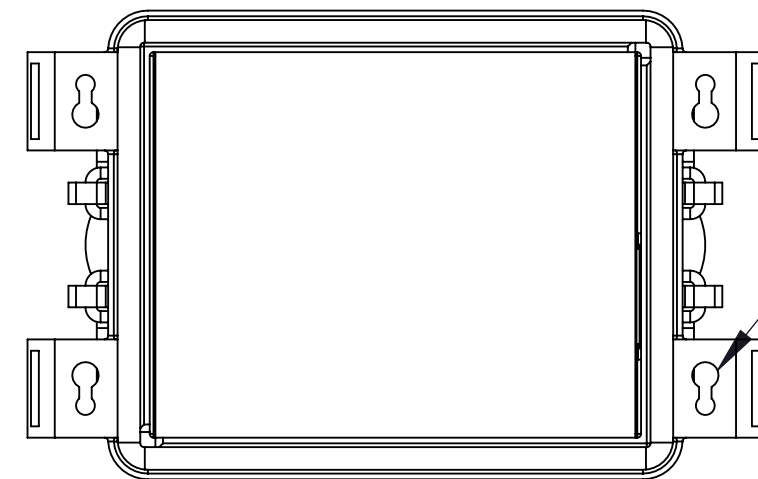
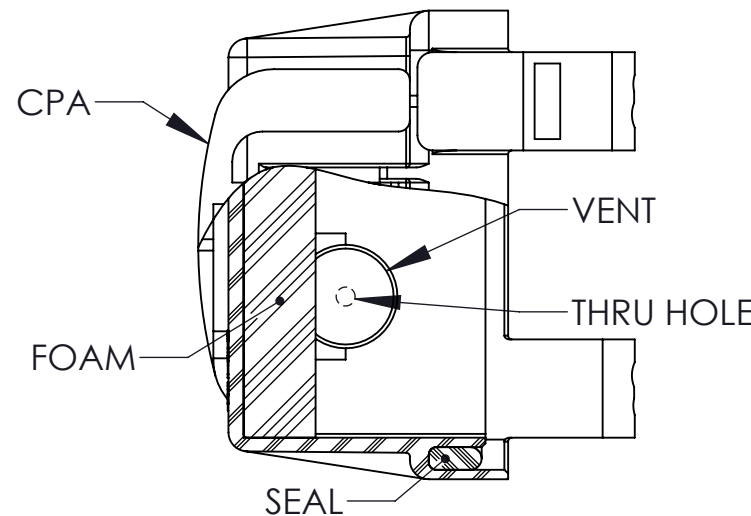
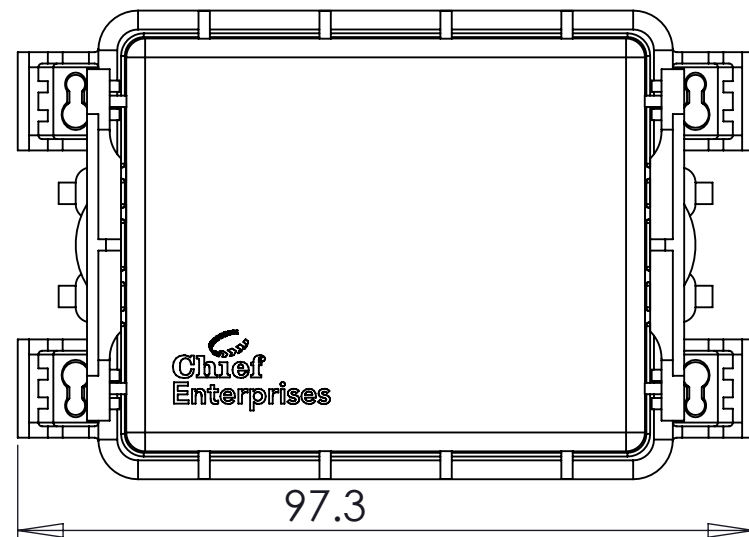
Part Number

TD-116

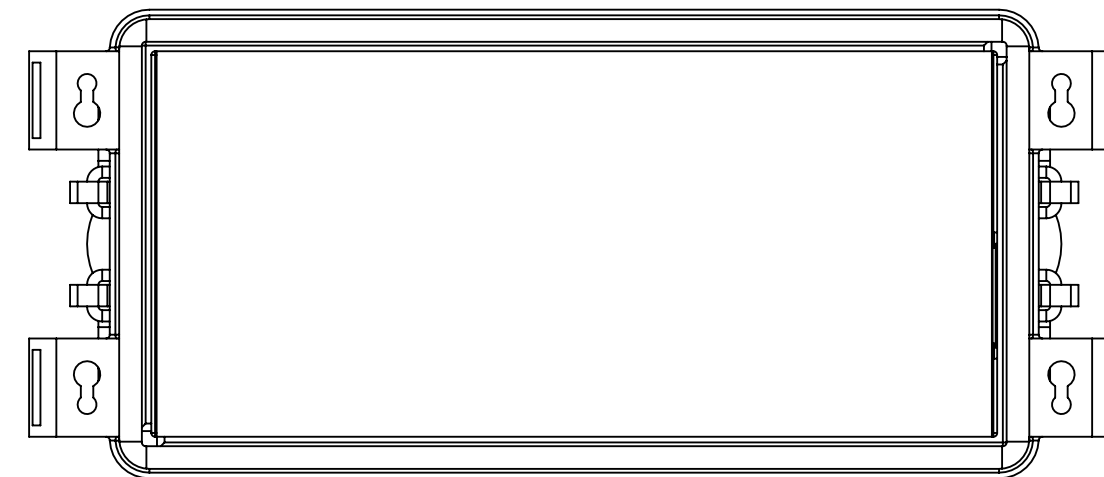
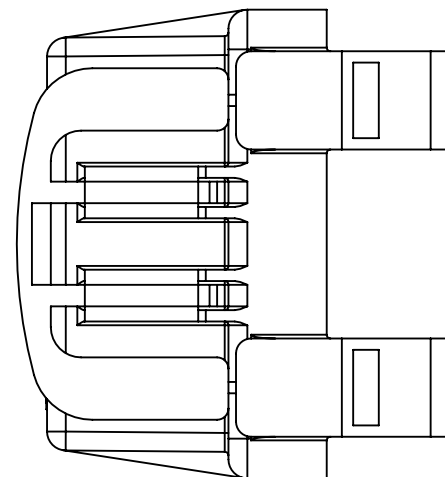
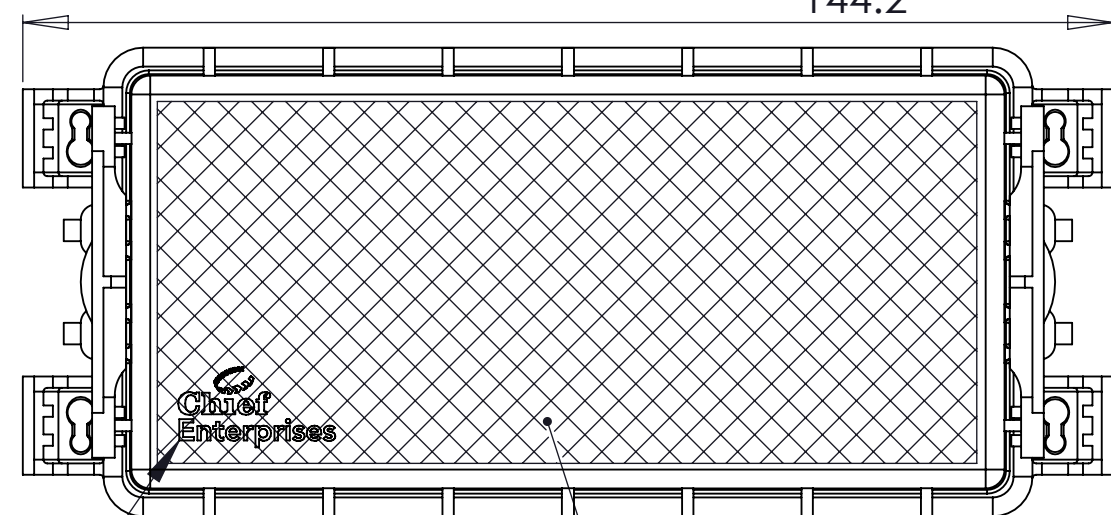
C751-1



C752-1



C753-1



CHIEF LOGO MAY APPEAR IN SURFACE FINISH

CROSS HATCH AREA CAN BE CUSTOM LASER MARKED (REQUIRES NEW PART NUMBER)

Primary Units
 Metric (mm)
 English (inch)

Third Angle Proj.

Tolerances If Not Specified

Metric:	English:
0...6 ±.2	X.X ±.1
>6...30 ±.3	X.XX ±.01
>30 ±.5	X.XXX ±.005
Angles ±	Angles ±

K. HULTQUIST
 Drawn By

26-APR-2017
 Date



0	FIRST DRAWN	KH	26-APR-2017
Rev	Change	By	Date



Parts Specialist. Solutions Driven.

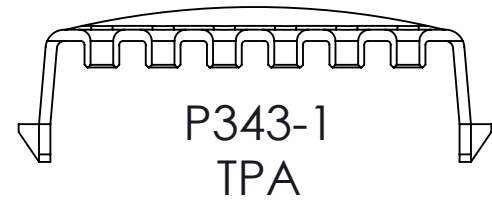
Part Number
TD-116

Part Name
BRIC 280 FAMILY

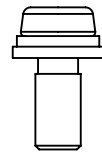
Scale
1:1

This drawing is the exclusive property of Chief Enterprises Inc. and may not be copied or given to a third party without our written consent.

It is the users responsibility to verify that this drawing is still active and that this is latest rev.



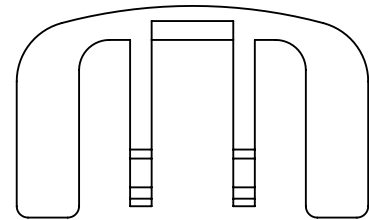
P343-1
TPA



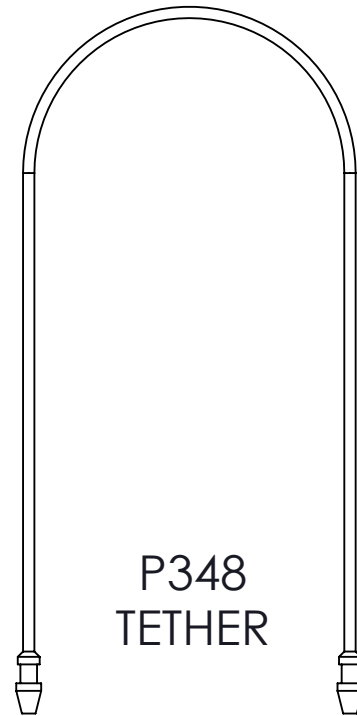
P424
SEMS SCREW

TE MCP 2.8

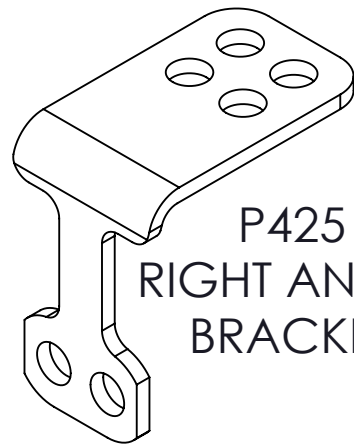
WIRE SIZE (mm2)	INSULATION DIA (mm)	STRIP	LOOSE	SEAL
0.35 - 0.50	1.2 - 1.4	x-968882-x	x-968896-x	828904-1
0.50 - 1.0	1.4 - 2.1	x-968855-x	x-968875-x	828904-1
1.0 - 2.5	2.2 - 3.0	x-968857-x	x-968876-x	828905-1
3.3	3.0 - 3.2	x-1719506-x	-	638865-1
CAVITY PLUG	-	-	-	828922-1



P346
CPA



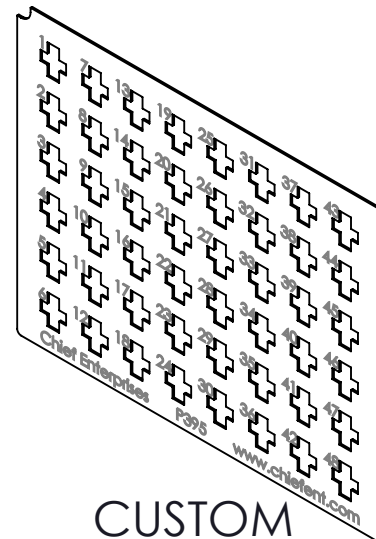
P348
TETHER



P425
RIGHT ANGLE
BRACKET

COVERS

PART NUM	SIZE	SEAL	VENTIC	CPATHRU	HOLE	FOAM
C751-1	24 WAY	1	1	2	YES	1
C782-1	24 WAY	1	0	0	NO	1
C992-1	24 WAY	1	1	0	YES	1
C993-1	24 WAY	0	0	2	NO	1
C994-1	24 WAY	0	0	2	NO	1
C995-1	24 WAY	0	0	0	NO	1
C1309	24 WAY	1	1	2	YES	0
C1310	24 WAY	1	0	0	NO	0
C1311	24 WAY	1	1	0	YES	0
C1312	24 WAY	0	0	2	NO	0
C1313	24 WAY	0	0	2	NO	0
C1314	24 WAY	0	0	0	NO	0
C752-1	48 WAY	1	1	2	YES	1
C783-1	48 WAY	1	0	0	NO	1
C996-1	48 WAY	1	1	0	YES	1
C997-1	48 WAY	1	0	2	NO	1
C998-1	48 WAY	0	0	2	NO	1
C999-1	48 WAY	0	0	0	NO	1
C1315	48 WAY	1	1	2	YES	0
C1316	48 WAY	1	0	0	NO	0
C1317	48 WAY	1	1	0	YES	0
C1318	48 WAY	1	0	2	NO	0
C1319	48 WAY	0	0	2	NO	0
C1320	48 WAY	0	0	0	NO	0
C753-1	84 WAY	1	1	2	YES	1
C784-1	84 WAY	1	0	0	NO	1
C1000-1	84 WAY	1	1	0	YES	1
C1001-1	84 WAY	1	0	2	NO	1
C1002-1	84 WAY	0	0	2	NO	1
C1003-1	84 WAY	0	0	0	NO	1
C1321	84 WAY	1	1	2	YES	0
C1322	84 WAY	1	0	0	NO	0
C1323	84 WAY	1	1	0	YES	0
C1324	84 WAY	1	0	2	NO	0
C1325	84 WAY	0	0	2	NO	0
C1326	84 WAY	0	0	0	NO	0



CUSTOM
LABELS

P347-1
DIODE KEY
SCALE 3:1

Primary Units <input checked="" type="checkbox"/> Metric (mm) <input type="checkbox"/> English (inch)	Third Angle Proj. 						
Tolerances If Not Specified							
Metric: 0...6 ±.2 >6...30 ±.3 >30 ±.5 Angles ±1	English: X.XX ±.1 X.XX ±.01 X.XXX ±.005 Angles ±1						
K. HULTQUIST	26-APR-2017		0	FIRST DRAWN	KH	26-APR-2017	
Drawn By	Date	Rev	Change	By	Date	Chk	



Parts Specialist. Solutions Driven.

Part Number TD-116	Part Name BRIC 280 FAMILY
Scale 1:1	
Title Block: b-format.sldprt Do Not Scale Drawing B Size 11 x 17 Sheet 3 of 3	